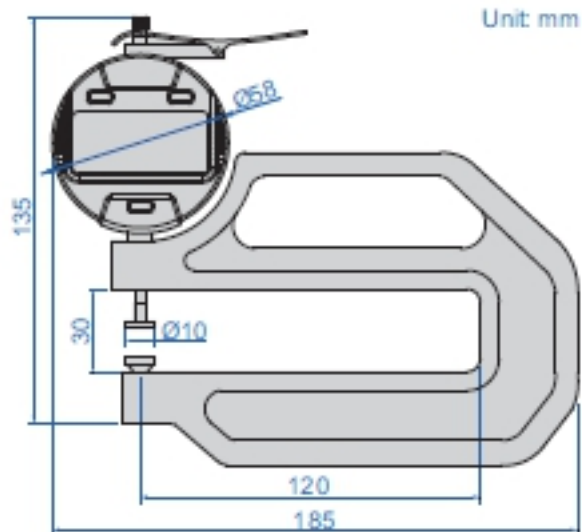


DATA
OUTPUT

measuring tips
and anvils can be
custom-made



DIGITAL THICKNESS GAUGES



2872-10

- Ceramic spindle tip and anvil
- Buttons: on/off, inch/mm, zero, data preset, change measuring direction, absolute/incremental measurement
- Keep preset data in memory after restart
- Battery CR2032, automatic power off (time is adjustable)
- Data output
- Optional accessory:
wireless transmitter code **7315-50M** (receiver is needed) page 6,
bluetooth transmitter code **7214-50M** page 12,
data output cable code **7302-50M** page 21

| Code | Range | Resolution | Accuracy |
|----------|---------------|------------------|----------|
| 2872-10 | 0-10mm/0-0.4" | 0.01mm/0.0005" | ±0.02mm |
| 2872-101 | 0-10mm/0-0.4" | 0.001mm/0.00005" | ±0.01mm |

