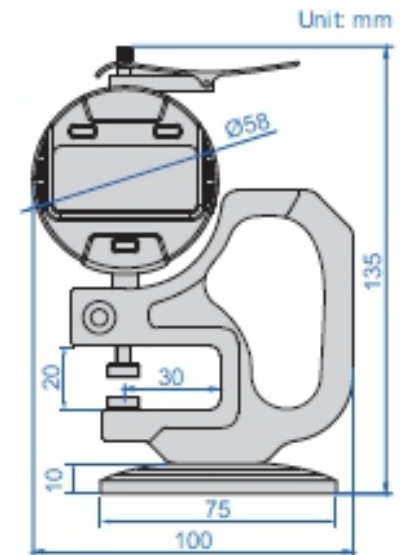


DIGITAL THICKNESS GAUGES (WITH BASE)

- Button function: on/off, inch/mm, zero, data preset, change measuring direction, absolute/incremental measurement
- Keep preset data in memory after restart
- CR2032 battery, automatic power off (time is adjustable)
- Data output
- Optional accessory:
wireless transmitter code **7315-50M** (receiver is needed) page 6,
bluetooth transmitter code **7214-50M** page 12,
data output cable code **7302-50M** page 21

DATA
OUTPUT



2673-10

| Code | Range | Resolution | Accuracy | Type |
|-----------|---------------|------------------|----------|------|
| 2673-10 | 0-10mm/0-0.4" | 0.01mm/0.0005" | ±0.02mm | A |
| 2673-101 | 0-10mm/0-0.4" | 0.001mm/0.00005" | ±0.005mm | A |
| 2673-10B | 0-10mm/0-0.4" | 0.01mm/0.0005" | ±0.02mm | B |
| 2673-101B | 0-10mm/0-0.4" | 0.001mm/0.00005" | ±0.005mm | B |

