



## DIGITAL ROLLER THICKNESS GAUGES

DATA  
OUTPUT



2877-4



2877-10



[www.insize.cz](http://www.insize.cz)



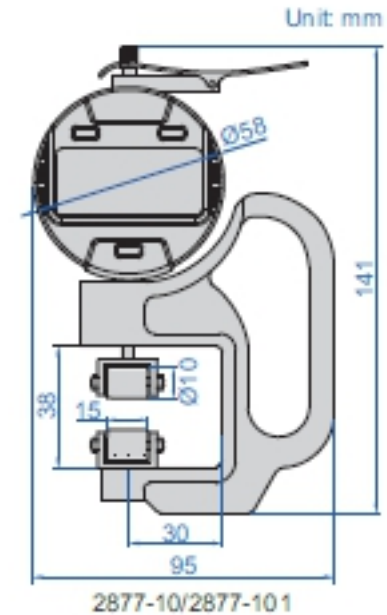
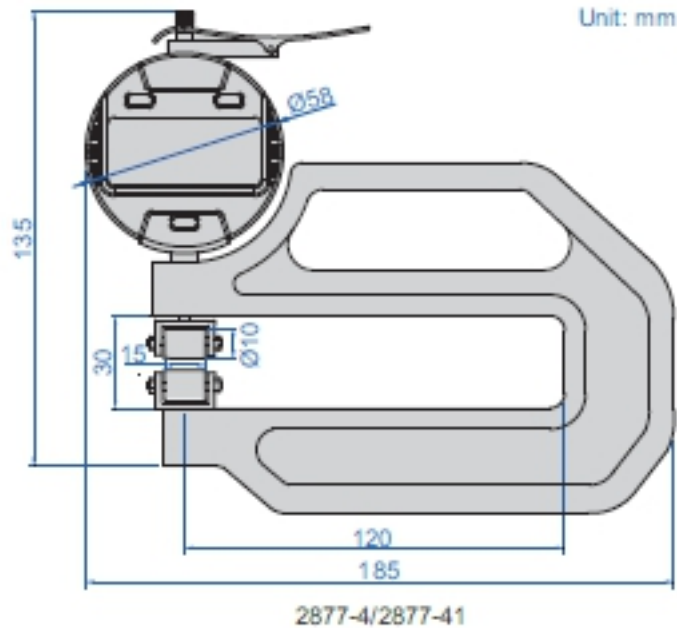
[www.insize.sk](http://www.insize.sk)



[www.insize.hu](http://www.insize.hu)



[www.insize.at](http://www.insize.at)



- Buttons: on/off, inch/mm, zero, data preset, change measuring direction, absolute/incremental measurement
- Keep preset data in memory after restart
- Battery CR2032, automatic power off (time is adjustable)
- Data output
- Optional accessory:  
wireless transmitter code **7315-50M** (receiver is needed) page 6,  
bluetooth transmitter code **7214-50M** page 12,  
data output cable code **7302-50M** page 21

Code	Range	Resolution	Accuracy
2877-4	0-3.5mm/0-0.14"	0.01mm/0.0005"	±0.02mm
2877-41	0-3.5mm/0-0.14"	0.001mm/0.00005"	±0.01mm
2877-10	0-10mm/0-0.4"	0.01mm/0.0005"	±0.02mm
2877-101	0-10mm/0-0.4"	0.001mm/0.00005"	±0.01mm