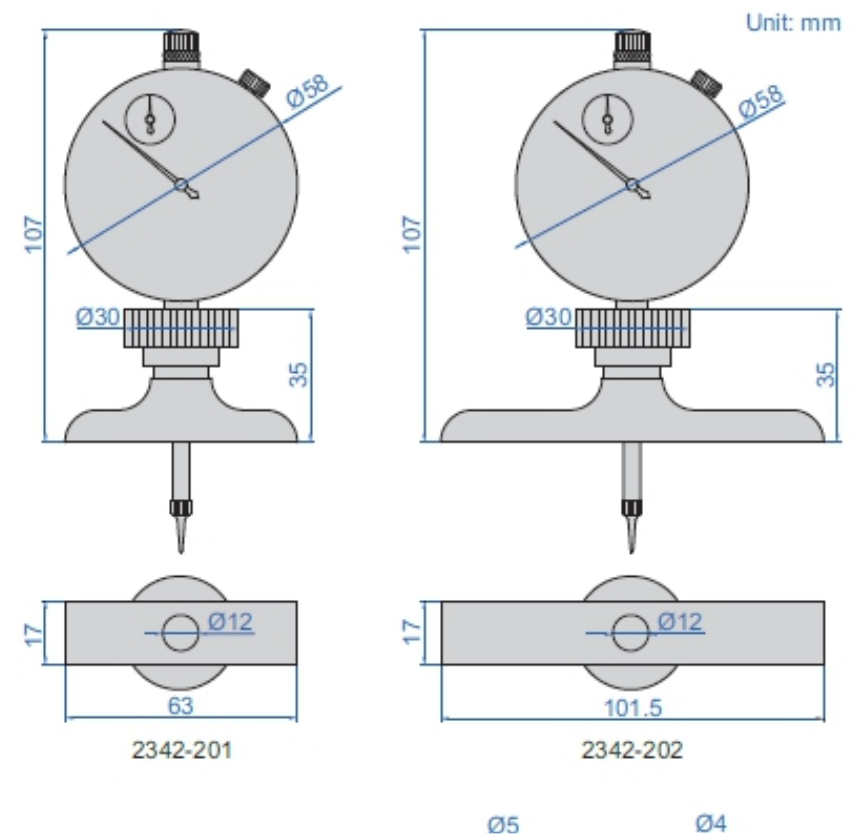


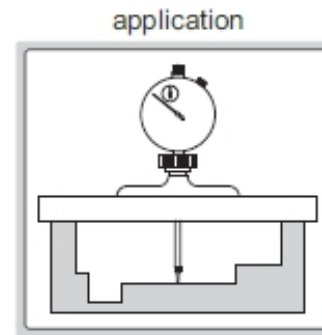
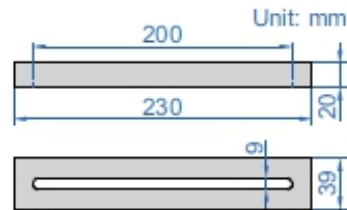


## DIAL DEPTH GAUGES



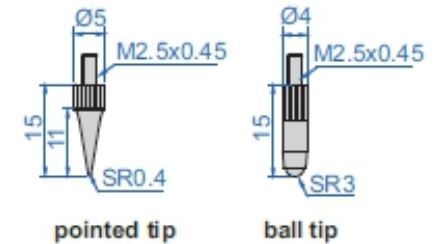


**2141-10 (optional)**,  
can be customized  
according to workpieces



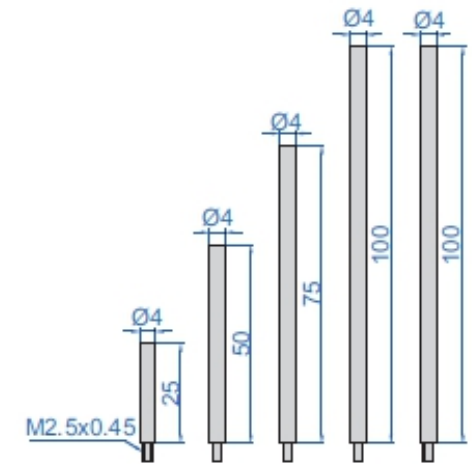
- Dial indicator graduation: 0.01mm
- Accuracy:  $\pm 0.03$ mm
- Stainless steel base
- Extension rods: 25mm (1pc), 50mm (1pc), 75mm (1pc), 100mm (2pcs)
- Supplied with pointed tip and ball tip
- Optional accessory: granite extension holder (code **2141-10**)

Code	Range	Dial indicator stroke	Base
2342-201	0-300mm	30mm	63×17mm
2342-202	0-300mm	30mm	101.5×17mm



pointed tip

ball tip



extension rods