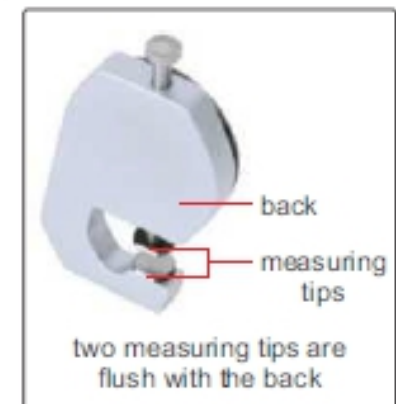
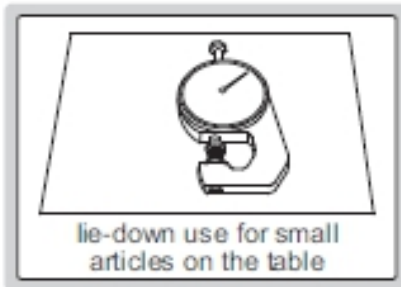
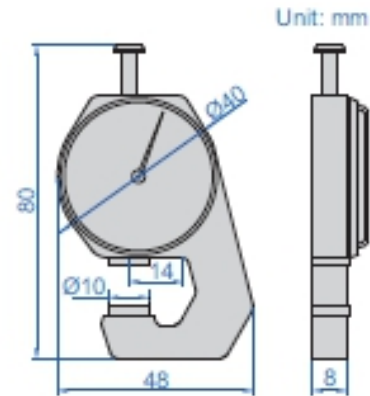


SUITABLE FOR
JEWELLERY

THICKNESS GAUGE



2361-10



| Code | Range | Graduation | Accuracy |
|---------|--------|------------|----------|
| 2361-10 | 0-10mm | 0.1mm | ±0.05mm |

