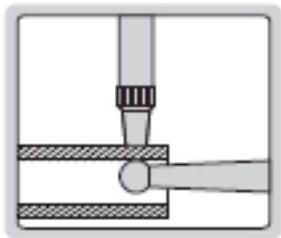


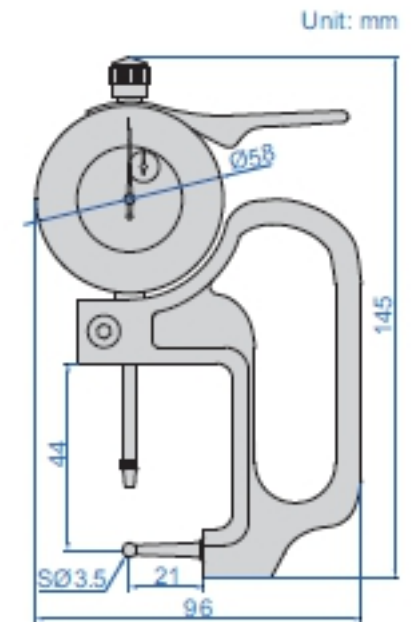
TUBE THICKNESS GAUGE



- Measure tube wall thickness



2367-10A



| Code | Range | Graduation | Accuracy |
|----------|--------|------------|----------|
| 2367-10A | 0-10mm | 0.01mm | ±0.02mm |